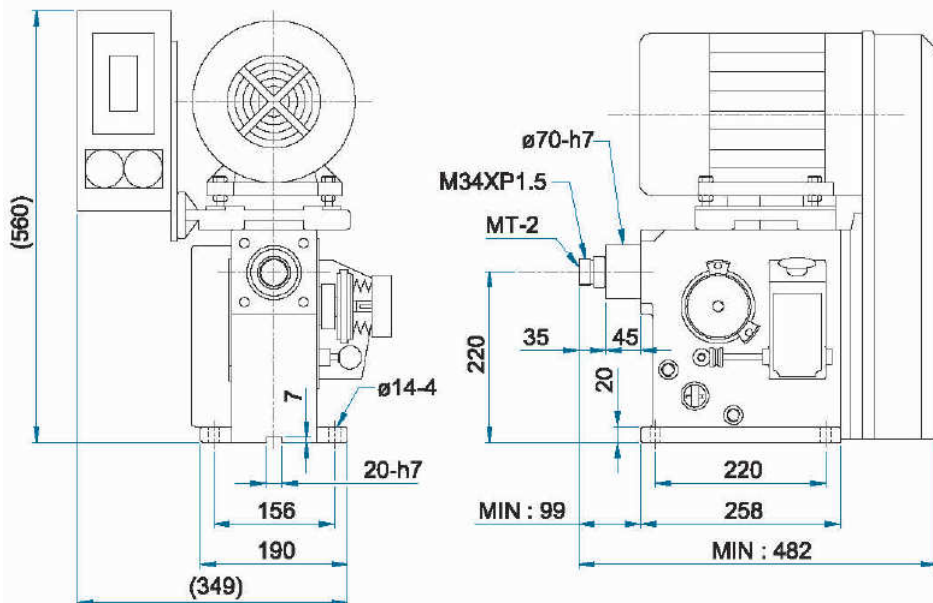


# 橫式齒輪式牙距自動攻牙機 (A系列)

## HORIZONTAL & GEAR-PITCH TYPE AUTO TAPPING MACHINE (A SERIES)



# JT-6516A

### 規格表 / Specification

機種 Model	規格 Specification	主軸最大行程 Main spindle max. stroke (mm)	主軸前 端型式 Type of the front side of Main spindle (mm)	螺牙 直徑 Diameter of thread (mm)	多軸最大 能力 Max. capacity of Multi-spindle	主軸端和 台之距離 Distance between the main spindle and the table (mm)	工作台 尺寸 Working table size (mm)	馬達 Motor	主軸迴轉數 Main spindle speed (R.P.M)		符合本機器使用之自動 送給螺距 Auto feeding thread pitch for which suits machine		裝箱尺寸 Packing dimension (cm)	毛重 G. Weight (kg)
									50HZ	60HZ	每英寸 的牙數 Range of TPI	mm		
直立式 Vertical type (重量Weight)	JT-6516 (約about: 220kg)	65	MT-2# / ER-20 Collet	ø5 / ø16	ø6 x 9軸 spindles ø8 x 4軸 spindles ø12x2軸 spindles	60 / 385	340 x 340	3PH 6P 0.75KW (1HP)	590	720	40,32, 28, 27,26, 24, 20,19, 18, 16,14, 13, 12,11, 10	(0.4, 0.45, 0.5, (0.6) 0.7, 0.75, 0.8, 0.9, 1.0, 1.25, 1.5, 1.75, 1.8, 2.0, 2.4, 2.5	99x62x117	270
橫型 Horizontal type (重量Weight)	JT-6516A (約about: 106kg)								260	300	70x50x70	133		
直立式 Vertical type (重量Weight)	JT-6532 (約about: 293kg)	65	MT-3# / Fixed Type Chuck	ø10 / ø32	ø10x10軸 spindles ø16 x 4軸 spindles ø20x2軸 spindles	190 / 630	340 x 380	3PH 6P 1.5KW (2HP)	280	340	19, 18, 16, 14, 13, 12, 11, 10, 9, 8, 7	1.25, 1.5, 1.75, 1.8, 2.0, 2.4, 2.5, 3.0, 3.5	102x69x138	350
橫型 Horizontal type (重量Weight)	JT-6532A (約about: 140kg)								150	180	79x69x83	172		