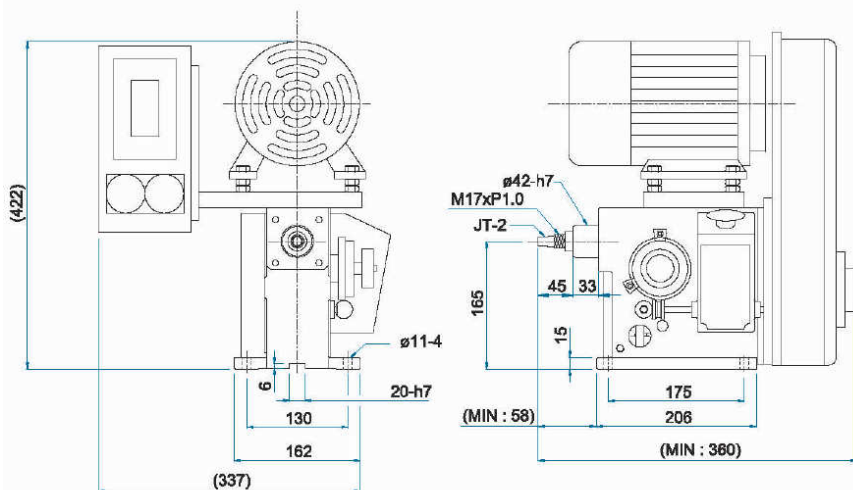


橫式齒輪式牙距自動攻牙機 (A系列)

HORIZONTAL & GEAR-PITCH TYPE AUTO TAPPING MACHINE (A SERIES)



JT-4508A

規格表 / Specification

機種 Model	規格 Specification	主軸最大行程 Main spindle max. stroke (mm)	主軸前部型式 Type of the front side of Main spindle (mm)	螺牙直徑 Diameter of thread (mm)	多軸最大能力 Max. capacity of Multi-spindle	主軸端和台之距離 Distance between the main spindle and the table (mm)	工作台尺寸 Working table size (mm)	馬達 Motor	主軸迴轉數 Main spindle speed (R.P.M)		符合本機器使用之自動送給螺距 Auto feeding thread pitch for which suits machine		裝箱尺寸 Packing dimension (cm)	毛重 G. Weight (kg)
									50HZ	60HZ	每英寸的牙數 Range of TPI	mm		
直立型 Vertical type (重量Weight)	JT-4504 (約about 115kg)	45	ER-11	ø4 以下 Less than	ø2x8軸 ø2.6x4軸 ø3x2軸 spindles	33 ~ 310	225 x 230	3PH 4P 0.18KW (1/4HP)	1830	2200	100, 80, 72	0.15, 0.175, 0.2, 0.225, 0.25, 0.3, 0.35, 0.4, 0.45, 0.5, 0.6, 0.7, 0.75	81x60x96	150
			JT-1 JT-2 Multi-Spindle Use						1300	1570	64, 56, 48, 44, 40			
直立型 Vertical type (重量Weight)	JT-4508 (約about 110kg)		JT-2 / CT12	ø2 ~ ø8 以下 Less than (ø10)	ø3x10軸 spindles ø4 x 5軸 spindles ø5 x 2軸 spindles			3PH 4P 0.37KW (1/2HP)	1340	1600	80, 72, 64, 60, 56, 48, 44, 40, 36, 32, 28, 27, 26, 24, 20, 19, 18, (16)	0.4, 0.45, 0.5, 0.6, 0.7, 0.75, 0.8, 0.9, 1.0, 1.2, 1.25, (1.5) (1.75)	75x54x96	140
橫型 Horizontal type (重量Weight)	JT-4508A (約about 53kg)		Tap Collet						420	500			61x52x71	75